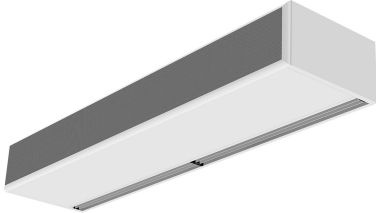


## ΧΑΡΑΚΤΗΡΙΣΤΙΚΑ

Διαχρονική αεροκουρτίνα Windbox με λειτουργία απολύμανσης και καθαρισμού αέρα και επιφάνειας. Συνδυάζει τις τεχνολογίες Kleenfan και Wellisair οι οποίες, μέσω της επίδρασης της φωτοκατάλυσης και της παραγωγής ριζών OH-υδροξυλίου, εξαλείφουν ιούς, βακτήρια, οσμές και ρυπογόνα αέρια, βελτιώνοντας την ποιότητα του αέρα.



- Combines a double patented purification technology through the generation of hydroxyl radicals OH· and the effect of photocatalysis.
- Innovative OH active technology with efficient production of hydroxyl radicals, complies with the exposure limits against chemical agents adopted by the National Institute of Safety and Health (INSS), which purifies both air and surfaces through a chain reaction. Through Advanced Oxidation Processes (AOP) inactivates up to 99.9% of pathogenic microorganisms (viruses and bacteria), improves air quality (reducing volatile organic compounds and suspended particles) and eliminates odours.
- Includes one purificant cartridge with hydrogen peroxide solution to generate hydroxyl radicals.
- Kleenfan technology with photocatalytic purificant action fans. UV-A rays, from the long-life led, act on the titanium dioxide of the turbine generation Reactive Oxygen Species (ROS) than, through oxidation /reduction reactions, inactivate wide range of pathogenic microorganisms (viruses and bacteria). It mineralizes most of the pollutants present in urban areas produced by vehicles and industry (NOx, SOx, COx, formaldehydes, VOCs, etc.).
- Includes Advanced Clever Control with purification program operation 24h/day, 4 levels of air quality indicator and replacement alarm of hydrogen peroxide purificant cartridge (around 3 months duration, depending on conditions). Plug&Play, programmable, Intelligent, automatic, energy saving mode, Modbus RTU by PLC...
- Galvaniseeritud terasplaadist valmistatud isekandev konstruktsioon, on kaetud struktuurse epoksü-polüestrilise valge RAL9016 katega – standardne. Muu värvidega või roostevaba terasest katted on ka saadaval (soovi korral).
- Mikroperforeeritud sisselaskevõre filtreerimisfunktsioonidega (lihtne hooldus). Ei nõua eelfiltrit.
- Anodeeritud alumiiniumist väljalaskevavad, aerodünaamilise vormiga, iga külg on reguleeritav (0 kuni 15°).
- EC Double-inlet centrifugal fans driven by an external rotor motor and low noise level, with very low consumption efficiency fans.
- "P" tüüp veeküttega soojusvahetiga. "E" tüüp elektriliste varjestatud elementidega, kolm astmed, sisseehitatud reguleerimisvõimalusega. "A" tüüp küttega, ainult ventileerimiseks. DX soojusvaheti (soovi korral).

## ΠΡΟΣΑΓΡΑΦΕΣ

50Hz

Μοντέλο	(m <sup>3</sup> /h)	(m)
ECM 1000 A OH+FC	2,5-3,8	
ECM 1500 A OH+FC	2,5-3,8	
ECM 2000 A OH+FC	2,5-3,8	
ECM 2500 A OH+FC	2,5-3,8	
ECM 3000 A OH+FC	2,5-3,8	
ECG 1000 A OH+FC	3-4,2	
ECG 1500 A OH+FC	3-4,2	
ECG 2000 A OH+FC	3-4,2	
ECG 2500 A OH+FC	3-4,2	
ECG 3000 A OH+FC	3-4,2	

Μοντέλο	(m <sup>3</sup> /h)	(kW)	(m)
ECM 1000 E OH+FC	2,5-3,8		
ECM 1500 E OH+FC	2,5-3,8		
ECM 2000 E OH+FC	2,5-3,8		
ECM 2500 E OH+FC	2,5-3,8		
ECM 3000 E OH+FC	2,5-3,8		
ECG 1000 E OH+FC	3-4,2		
ECG 1500 E OH+FC	3-4,2		
ECG 2000 E OH+FC	3-4,2		
ECG 2500 E OH+FC	3-4,2		
ECG 3000 E OH+FC	3-4,2		



Μοντέλο	(m <sup>3</sup> /h)	(m)	(kW)	(kW)	(kW)
ECM 1000 P86 OH+FC	-				
ECM 1500 P86 OH+FC	-				
ECM 2000 P86 OH+FC	-				
ECM 2500 P86 OH+FC	-				
ECM 3000 P86 OH+FC	-				
ECG 1000 P86 OH+FC	-				
ECG 1500 P86 OH+FC	-				
ECG 2000 P86 OH+FC	-				
ECG 2500 P86 OH+FC	-				
ECG 3000 P86 OH+FC	-				
ECM 1000 P64 OH+FC	-				
ECM 1500 P64 OH+FC	-				
ECM 2000 P64 OH+FC	-				
ECM 2500 P64 OH+FC	-				
ECM 3000 P64 OH+FC	-				
ECG 1000 P64 OH+FC	-				
ECG 1500 P64 OH+FC	-				
ECG 2000 P64 OH+FC	-				
ECG 2500 P64 OH+FC	-				
ECG 3000 P64 OH+FC	-				
ECM 1000 P54 OH+FC	8.74				
ECM 1500 P54 OH+FC	14.71				
ECM 2000 P54 OH+FC	19.13				
ECM 2500 P54 OH+FC	24.95				
ECM 3000 P54 OH+FC	30.54				
ECG 1000 P54 OH+FC	10.56				
ECG 1500 P54 OH+FC	16.37				
ECG 2000 P54 OH+FC	23.15				
ECG 2500 P54 OH+FC	28.76				
ECG 3000 P54 OH+FC	34.03				

60Hz

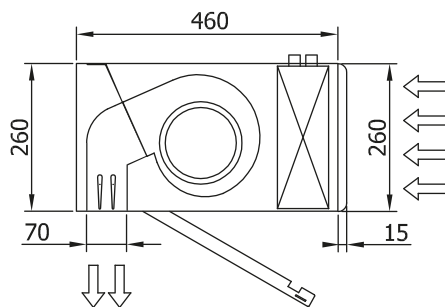
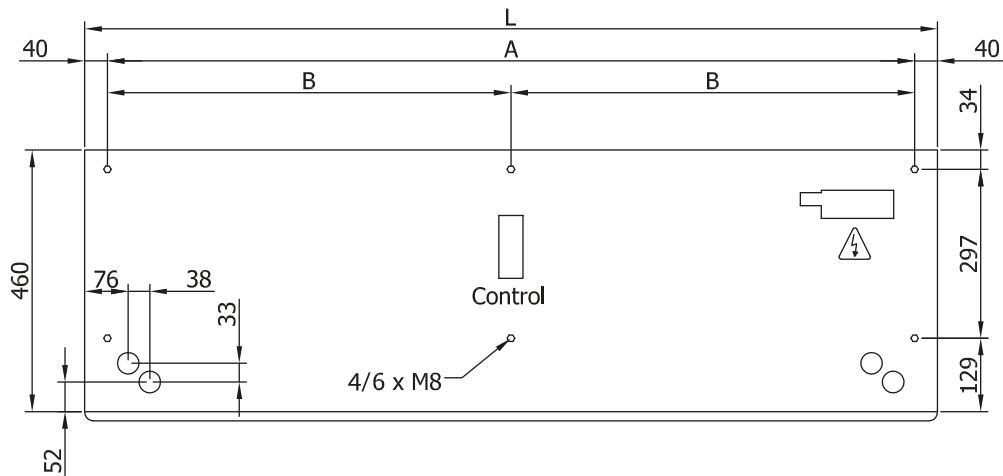
Μοντέλο	(m <sup>3</sup> /h)	(m)
ECM 1000 A OH+FC	2,5-3,8	
ECM 1500 A OH+FC	2,5-3,8	
ECM 2000 A OH+FC	2,5-3,8	
ECM 2500 A OH+FC	2,5-3,8	
ECM 3000 A OH+FC	2,5-3,8	
ECG 1000 A OH+FC	3-4,2	
ECG 1500 A OH+FC	3-4,2	
ECG 2000 A OH+FC	3-4,2	
ECG 2500 A OH+FC	3-4,2	
ECG 3000 A OH+FC	3-4,2	

Μοντέλο	(m <sup>3</sup> /h)	(kW)	(m)
ECM 1000 E OH+FC	2,5-3,8		
ECM 1500 E OH+FC	2,5-3,8		
ECM 2000 E OH+FC	2,5-3,8		
ECM 2500 E OH+FC	2,5-3,8		
ECM 3000 E OH+FC	2,5-3,8		
ECG 1000 E OH+FC	3-4,2		
ECG 1500 E OH+FC	3-4,2		
ECG 2000 E OH+FC	3-4,2		
ECG 2500 E OH+FC	3-4,2		
ECG 3000 E OH+FC	3-4,2		

Μοντέλο	(m <sup>3</sup> /h)	(m)	(kW)	(kW)	(kW)
ECM 1000 P86 OH+FC	-				
ECM 1500 P86 OH+FC	-				

Μοντέλο	(m <sup>3</sup> /h)	(m)	(kW)	(kW)	(kW)
ECM 2000 P86 OH+FC	-				
ECM 2500 P86 OH+FC	-				
ECM 3000 P86 OH+FC	-				
ECG 1000 P86 OH+FC	-				
ECG 1500 P86 OH+FC	-				
ECG 2000 P86 OH+FC	-				
ECG 2500 P86 OH+FC	-				
ECG 3000 P86 OH+FC	-				
ECM 1000 P64 OH+FC	-				
ECM 1500 P64 OH+FC	-				
ECM 2000 P64 OH+FC	-				
ECM 2500 P64 OH+FC	-				
ECM 3000 P64 OH+FC	-				
ECG 1000 P64 OH+FC	-				
ECG 1500 P64 OH+FC	-				
ECG 2000 P64 OH+FC	-				
ECG 2500 P64 OH+FC	-				
ECG 3000 P64 OH+FC	-				
ECM 1000 P54 OH+FC	8.74				
ECM 1500 P54 OH+FC	14.71				
ECM 2000 P54 OH+FC	19.13				
ECM 2500 P54 OH+FC	24.95				
ECM 3000 P54 OH+FC	30.54				
ECG 1000 P54 OH+FC	10.56				
ECG 1500 P54 OH+FC	16.37				
ECG 2000 P54 OH+FC	23.15				
ECG 2500 P54 OH+FC	28.76				
ECG 3000 P54 OH+FC	34.03				

**Διαστάσεις**



L	A	B
1000	920	-
1500	1420	710
2000	1920	960
2500	2420	1210
3000	2920	1460